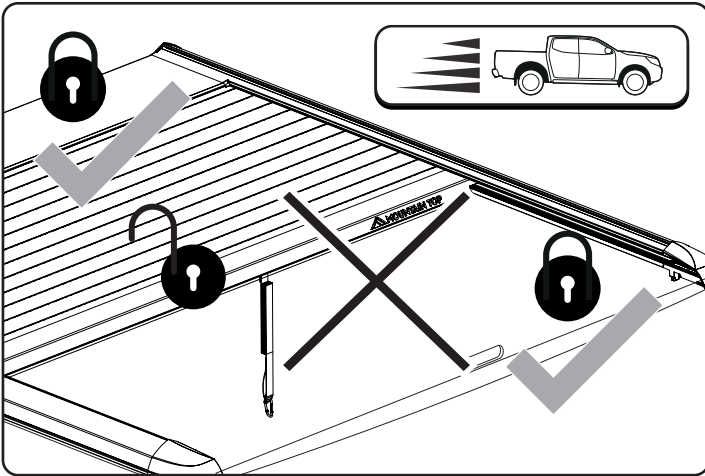
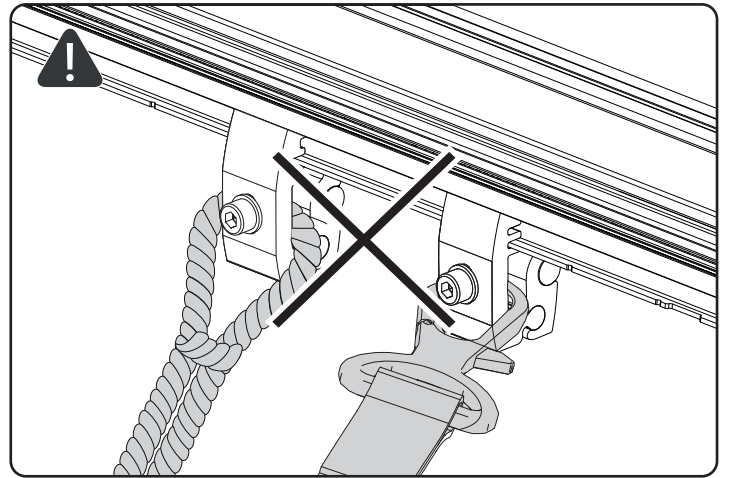
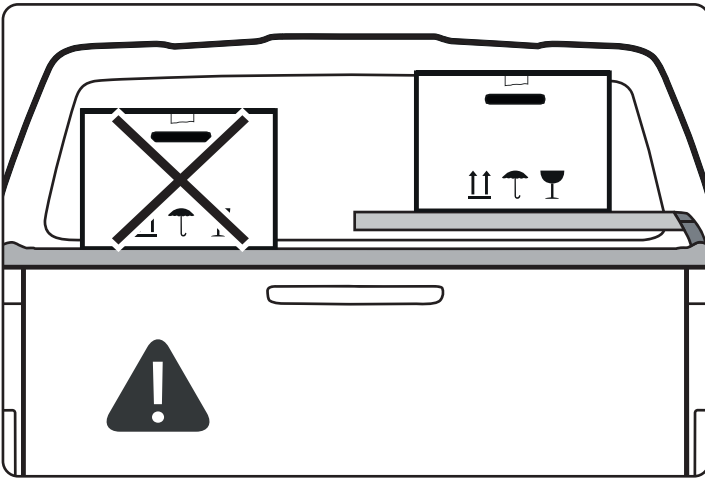
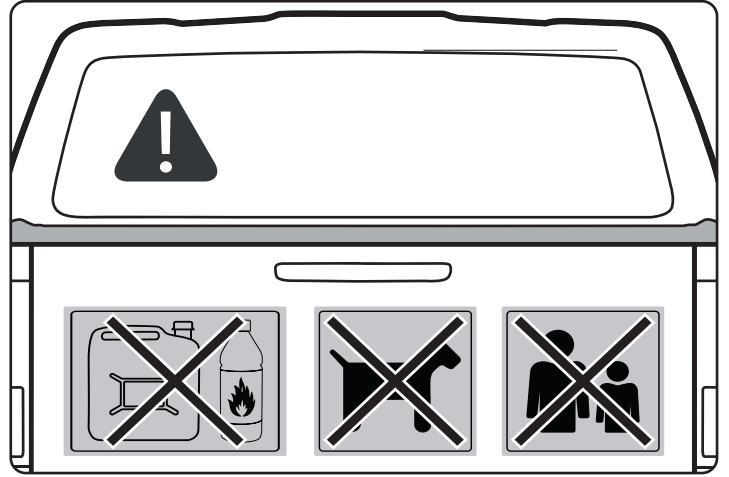
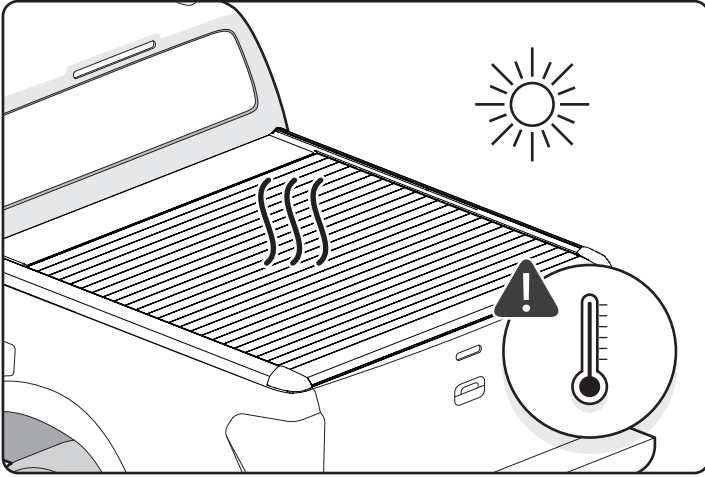


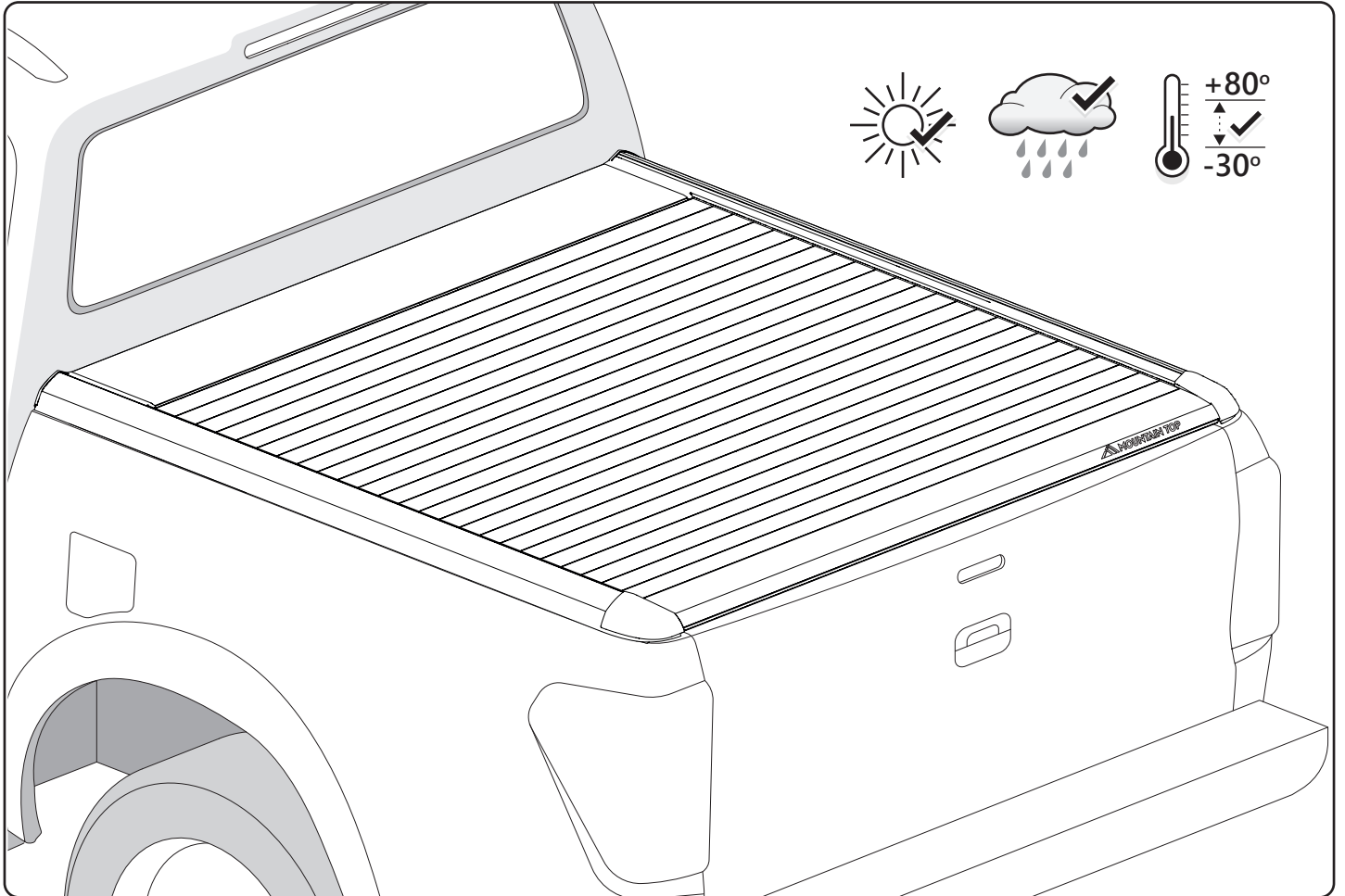
OWNERS MANUAL

MOUNTAIN TOP[®] EV0m ROLL COVER

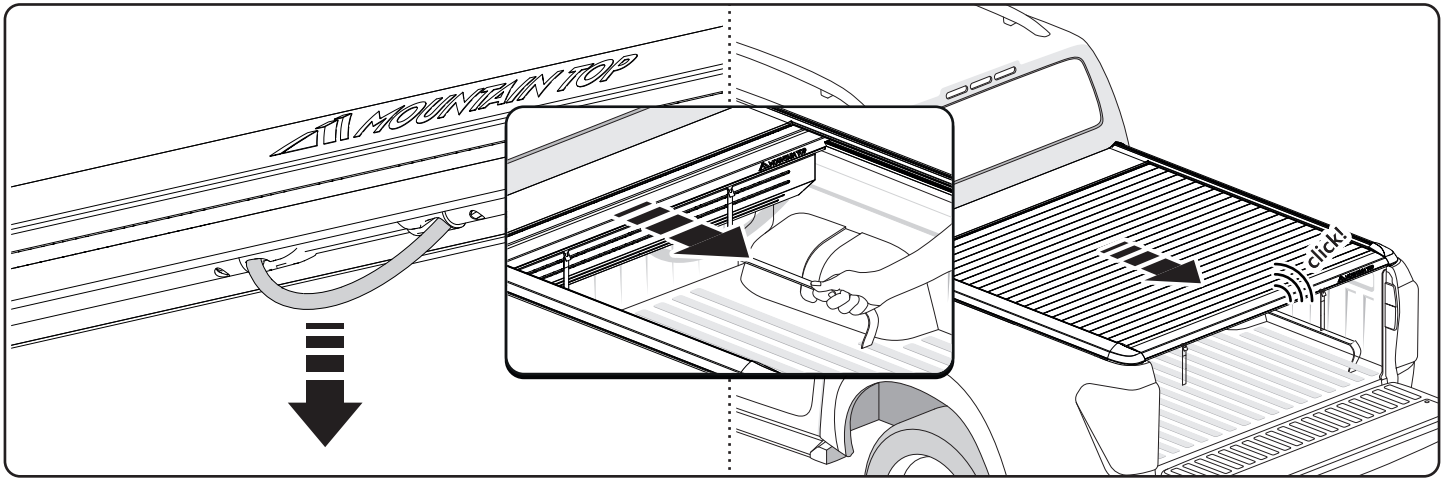
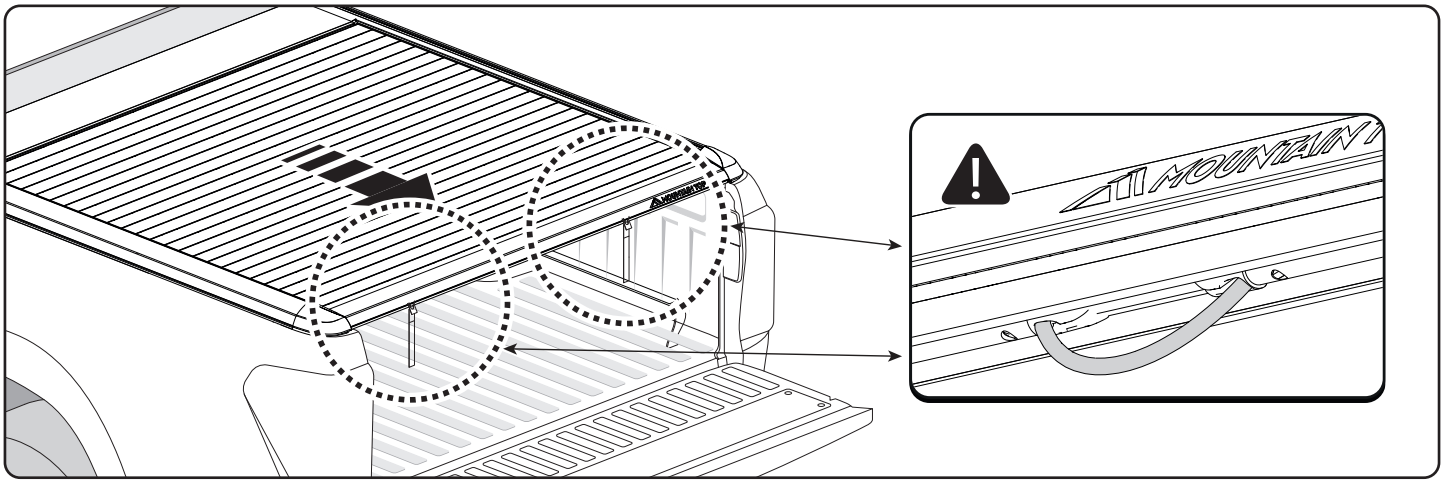
1 WARNINGS



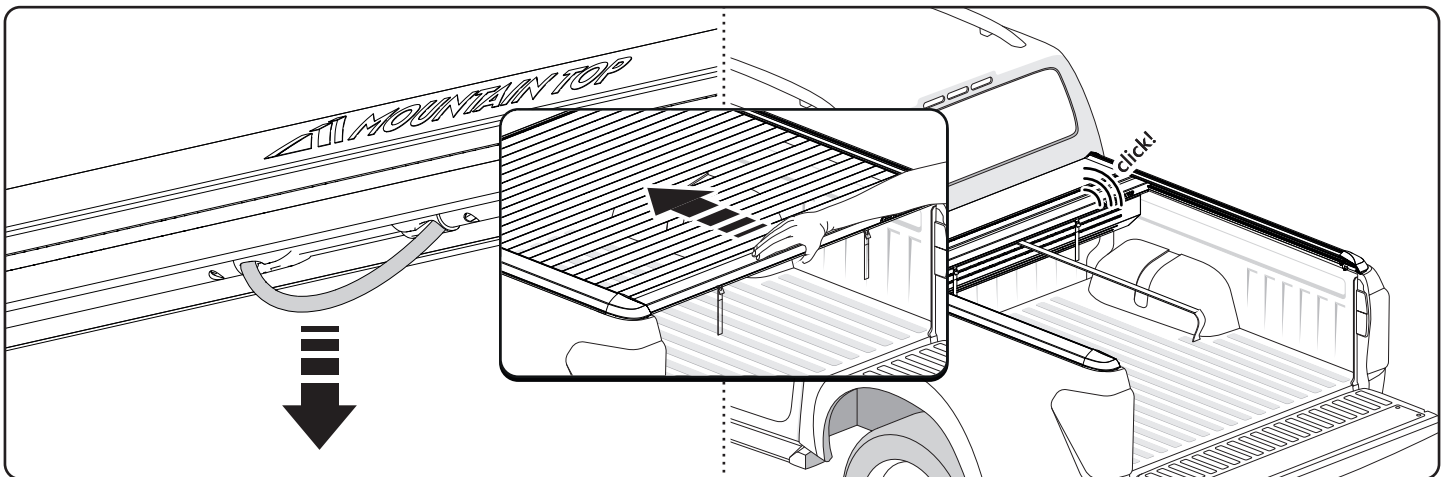
- Temperatures can be very high under the cover when closed.
- We do not recommend washing the EVO roll cover in a brushless carwash, as the coating may be damaged due to use of chemicals.

2**CONDITIONS OF USE**

- The Mountain Top EVO roll cover design is lightweight and not suitable for extreme usage.
- Designed to withstand rain water, some water ingress may occur.
- Dust can enter the compartment through various gaps.
- Due to profiles which relatively quick heats up and cools down according to weath conditions can cause condensation on the inside.
- The EVO roll cover is not designed for loading although it can support normal snow loads.
- Goods in the bed must be secured during transportation to prevent damage.



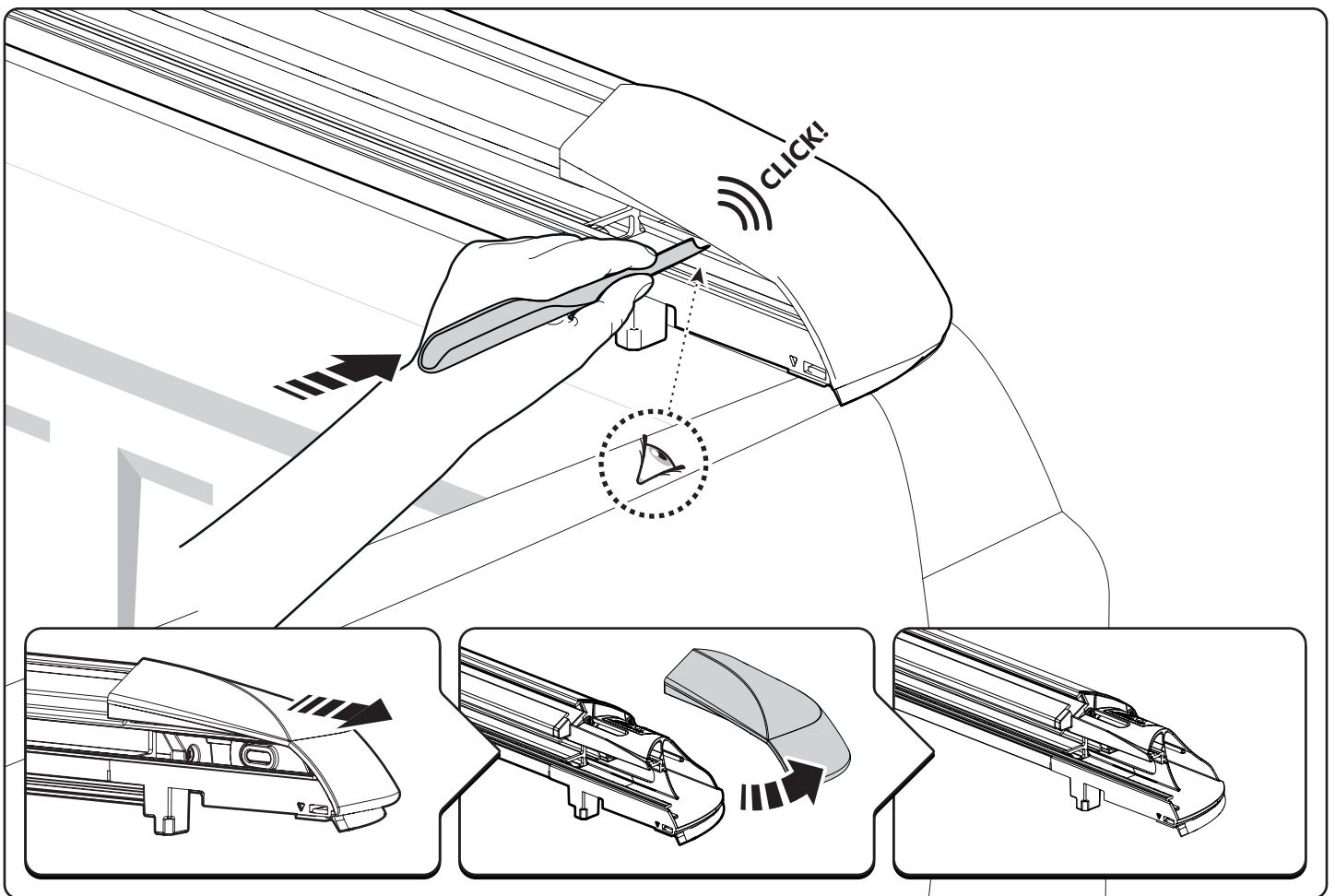
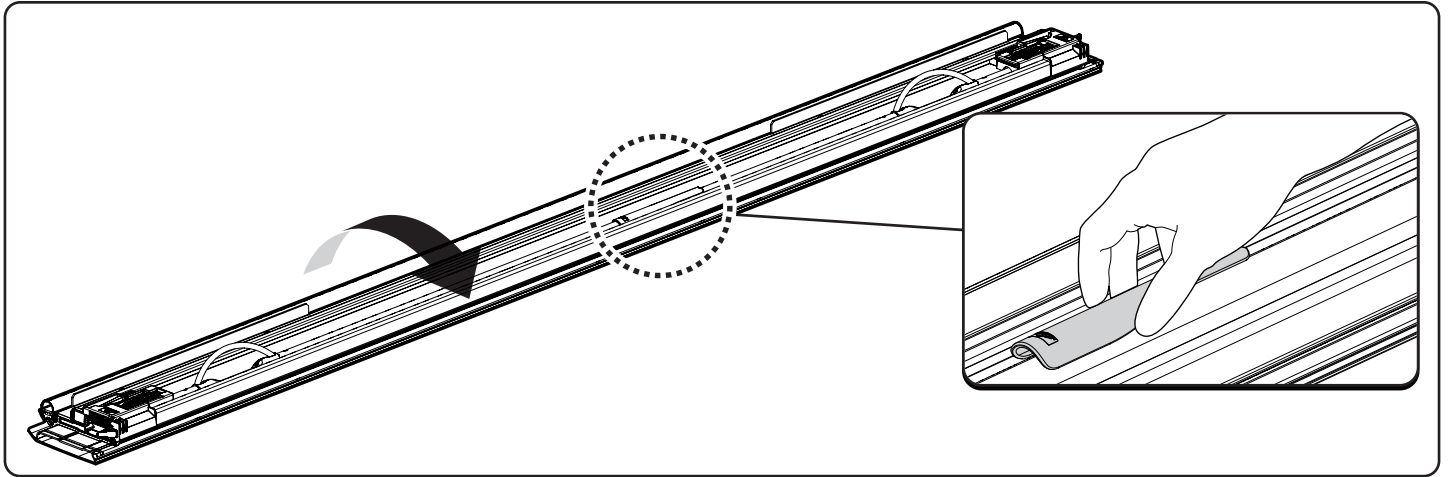
- Close



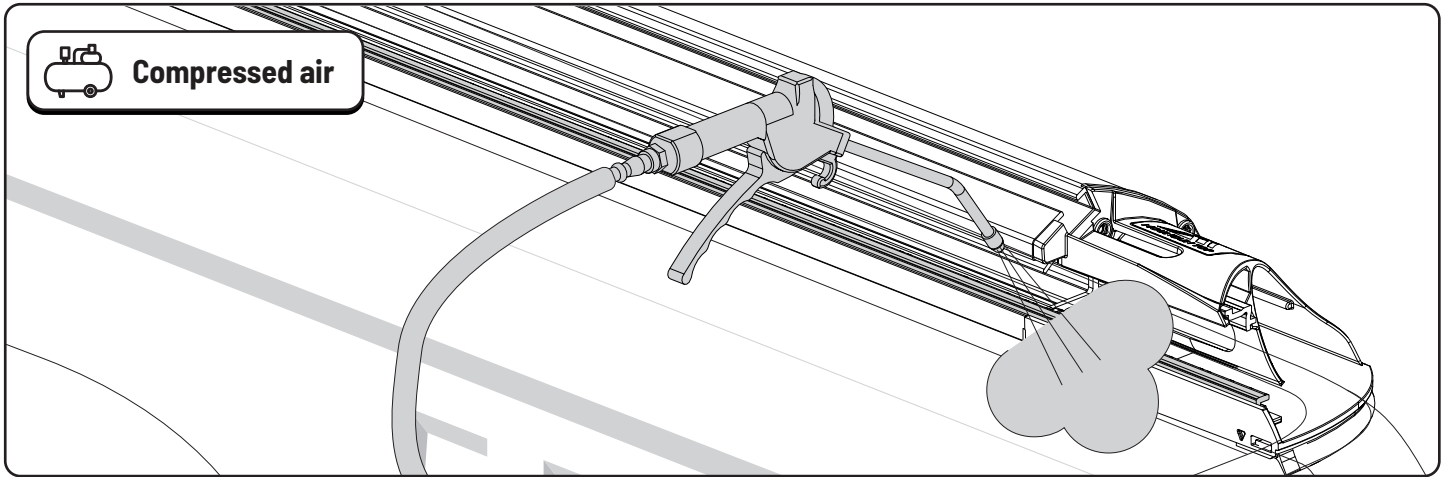
- Open

- When the EV0m roll cover is fully opened, a lock activator is automatically triggered, engaging the locking system.
- For the EV0m roll cover to close correctly, the locking system must be engaged before the cover is closed.

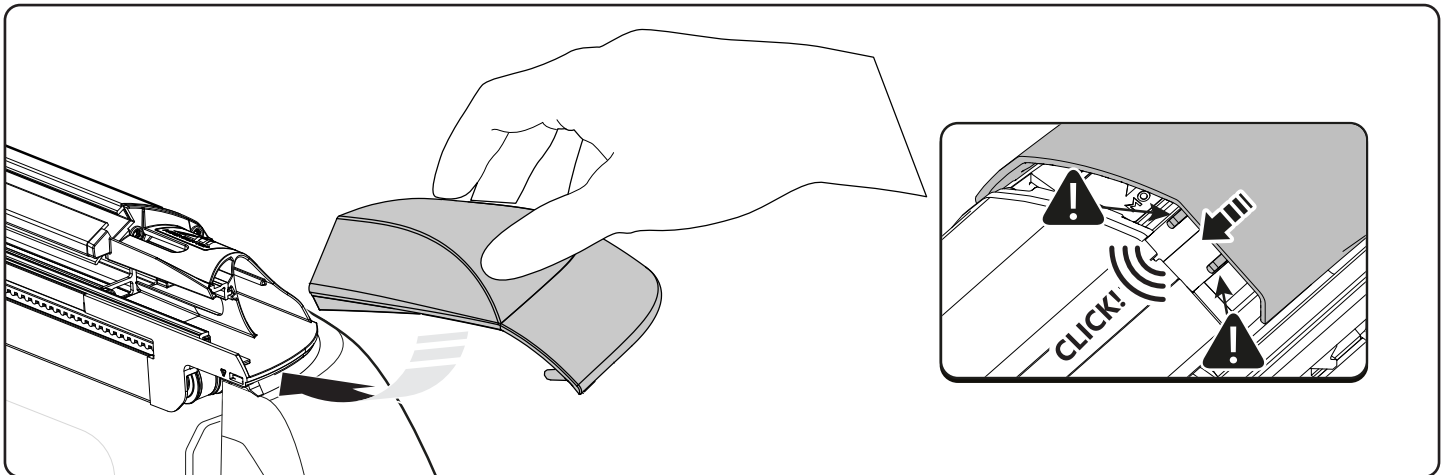
3 MAINTENANCE



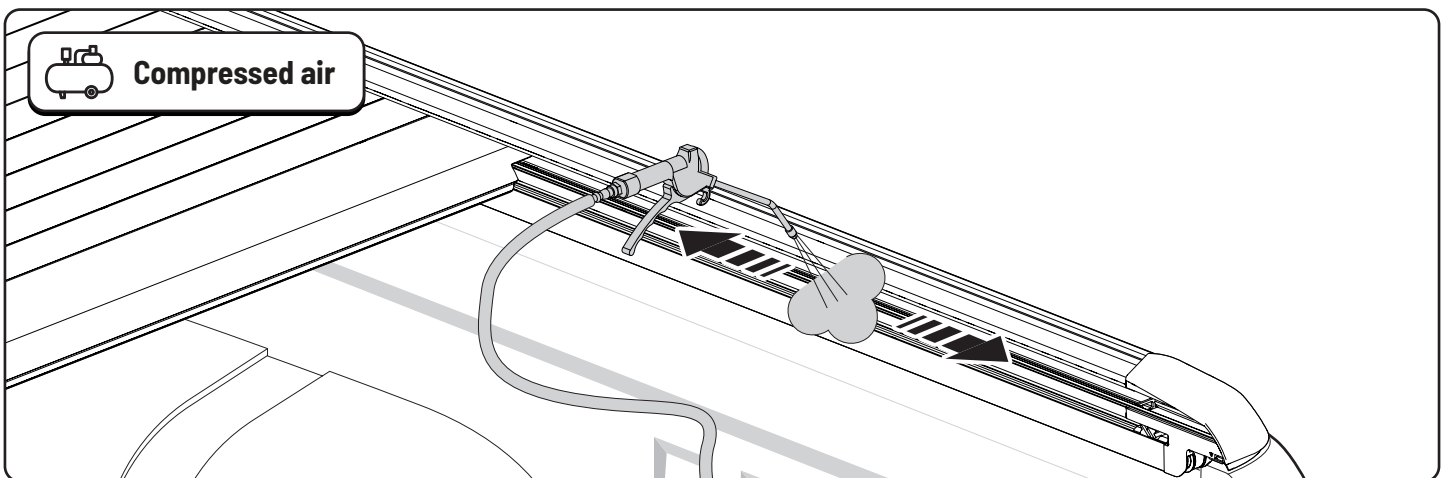
- Use the multi tool to remove the plastic covers on the side profiles.



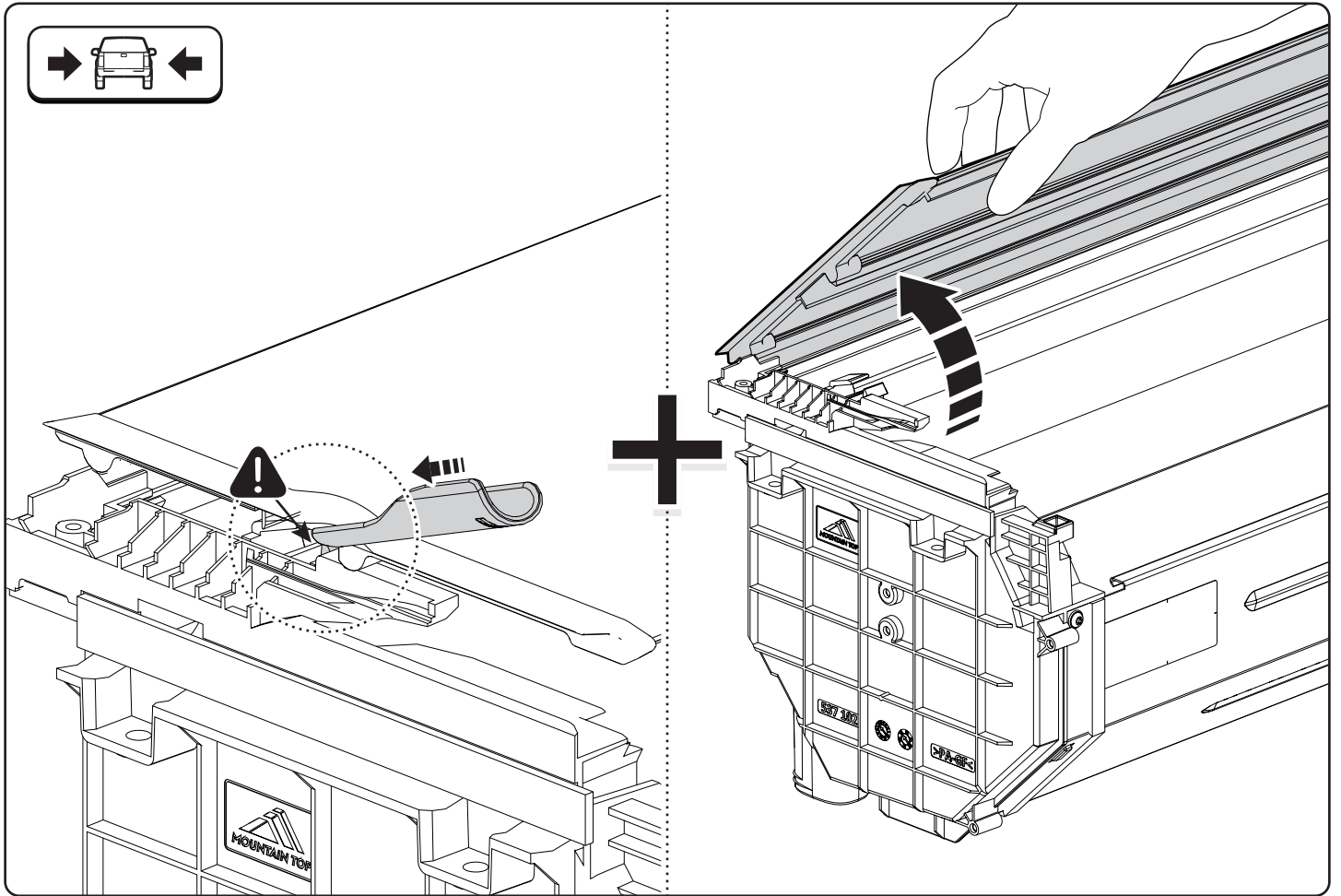
- Remove dirt and debris using compressed air.



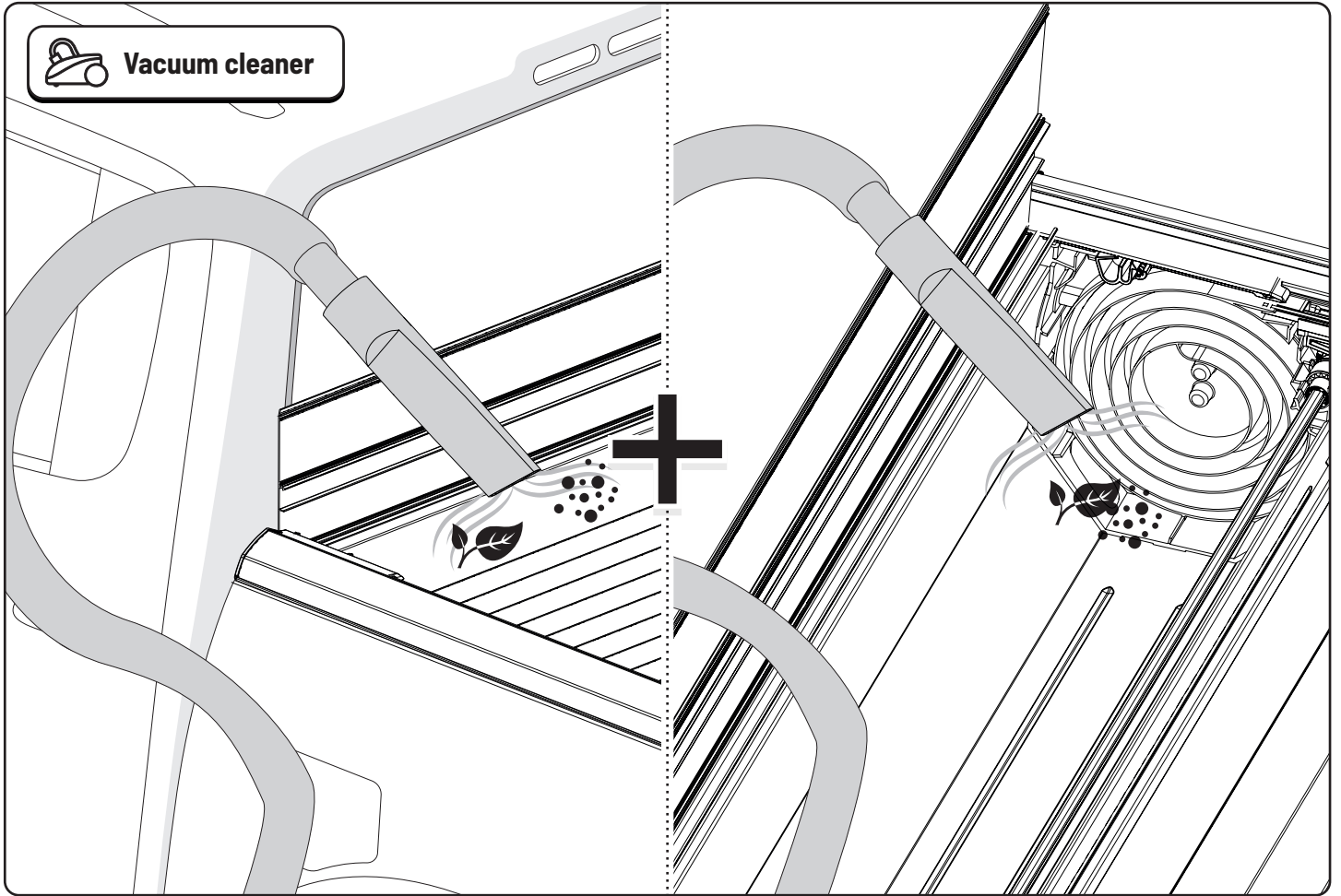
- Mount plastic covers.



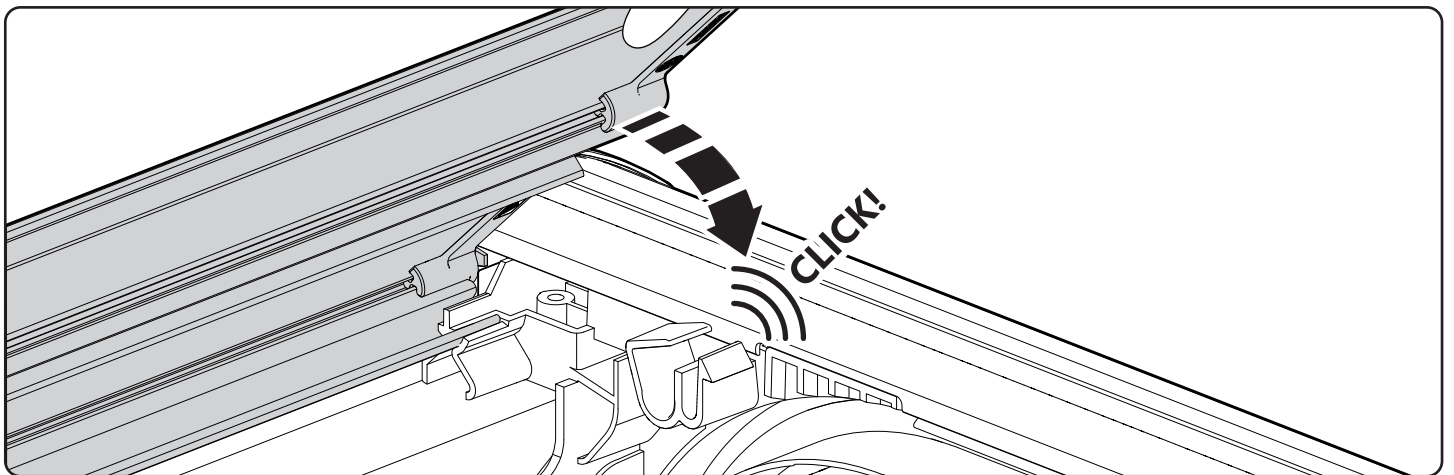
- Clean the side profiles.



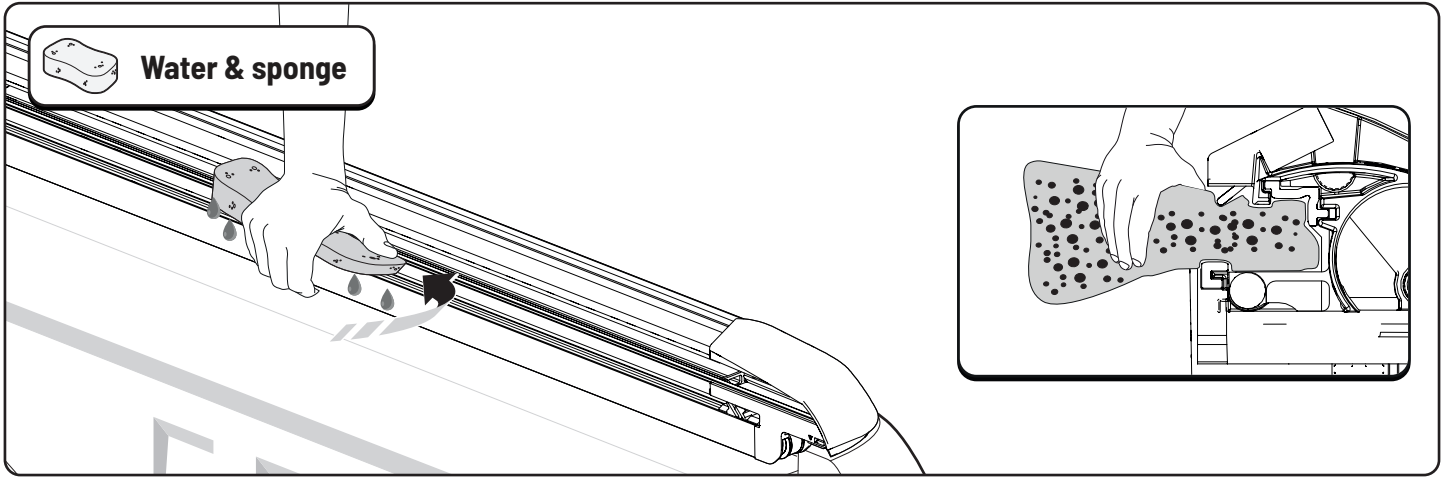
- Open the canister.



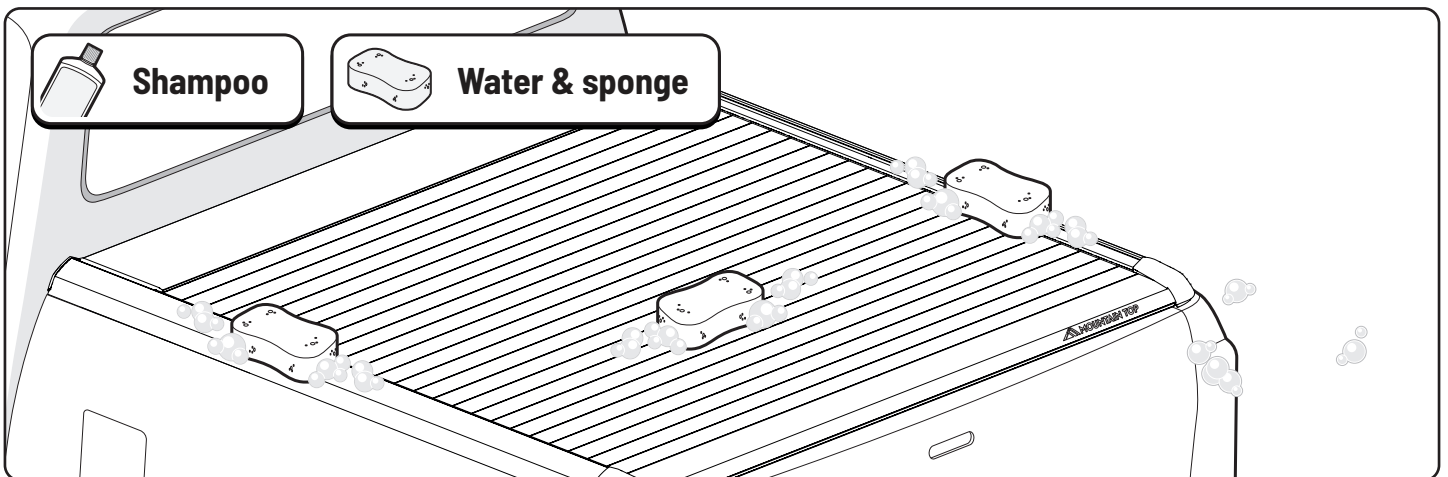
- Clean the canister.



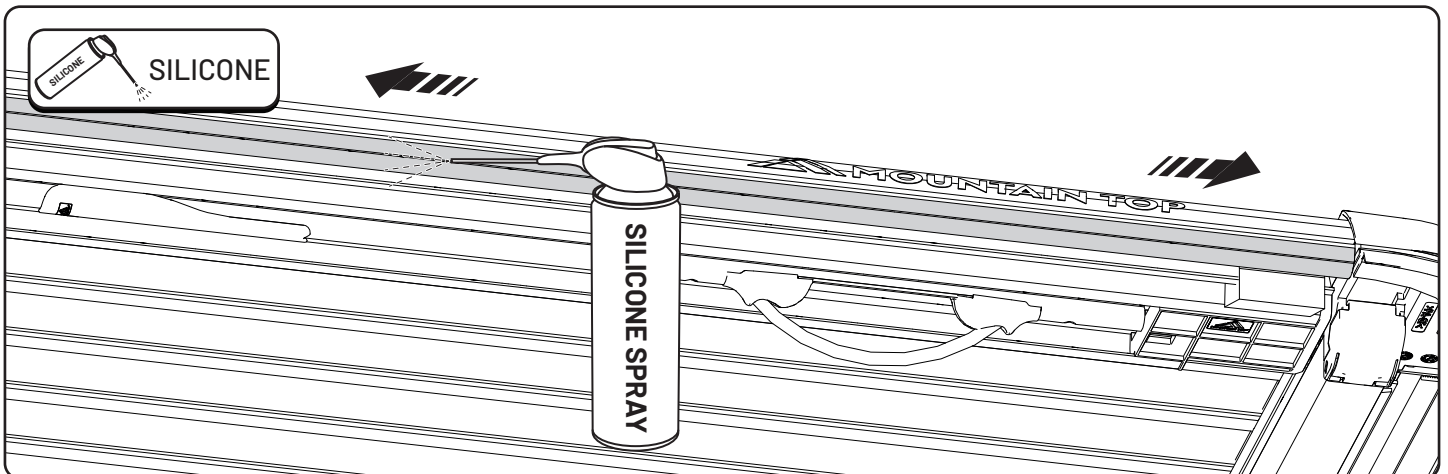
- Close the canister.

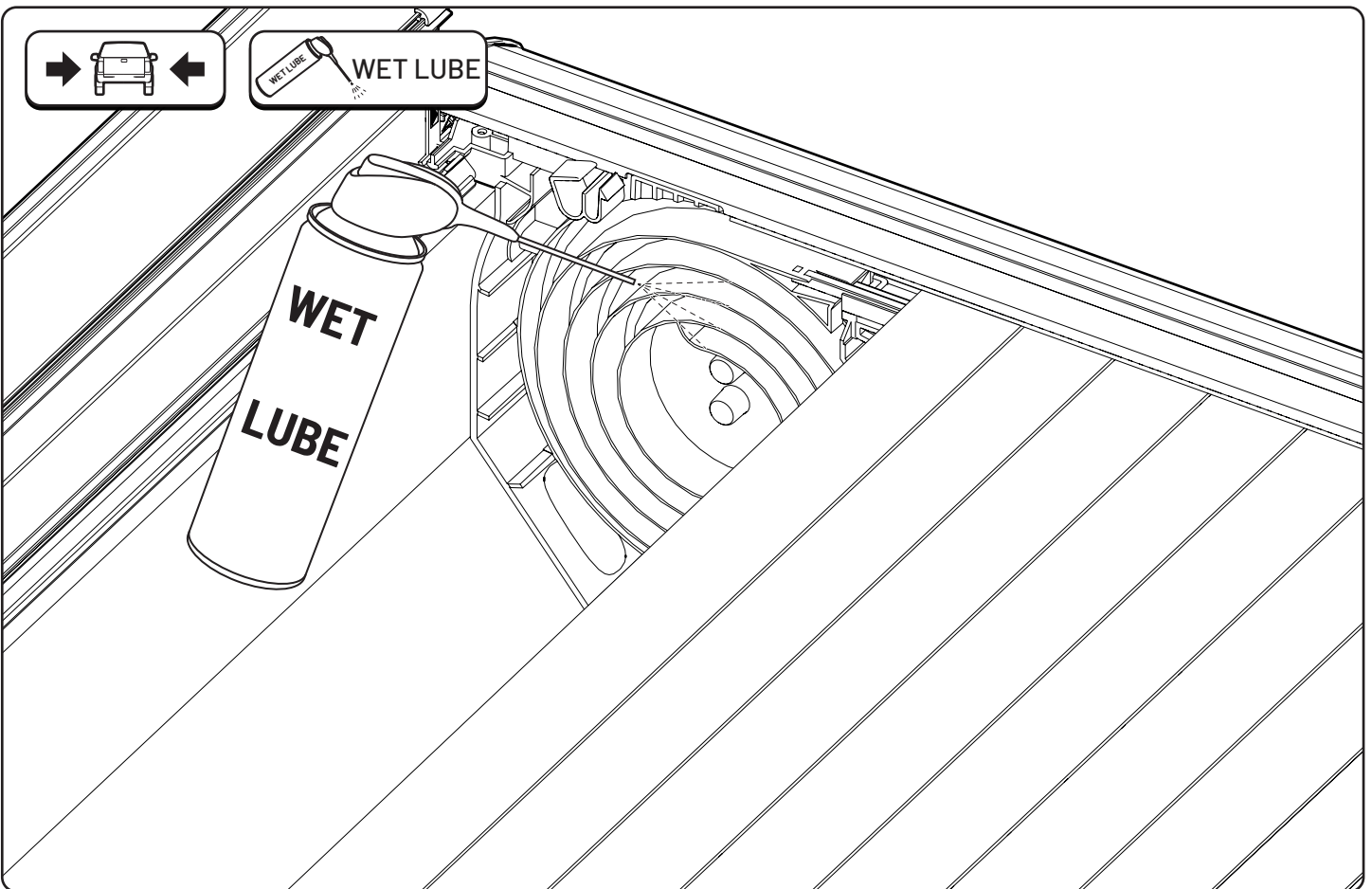
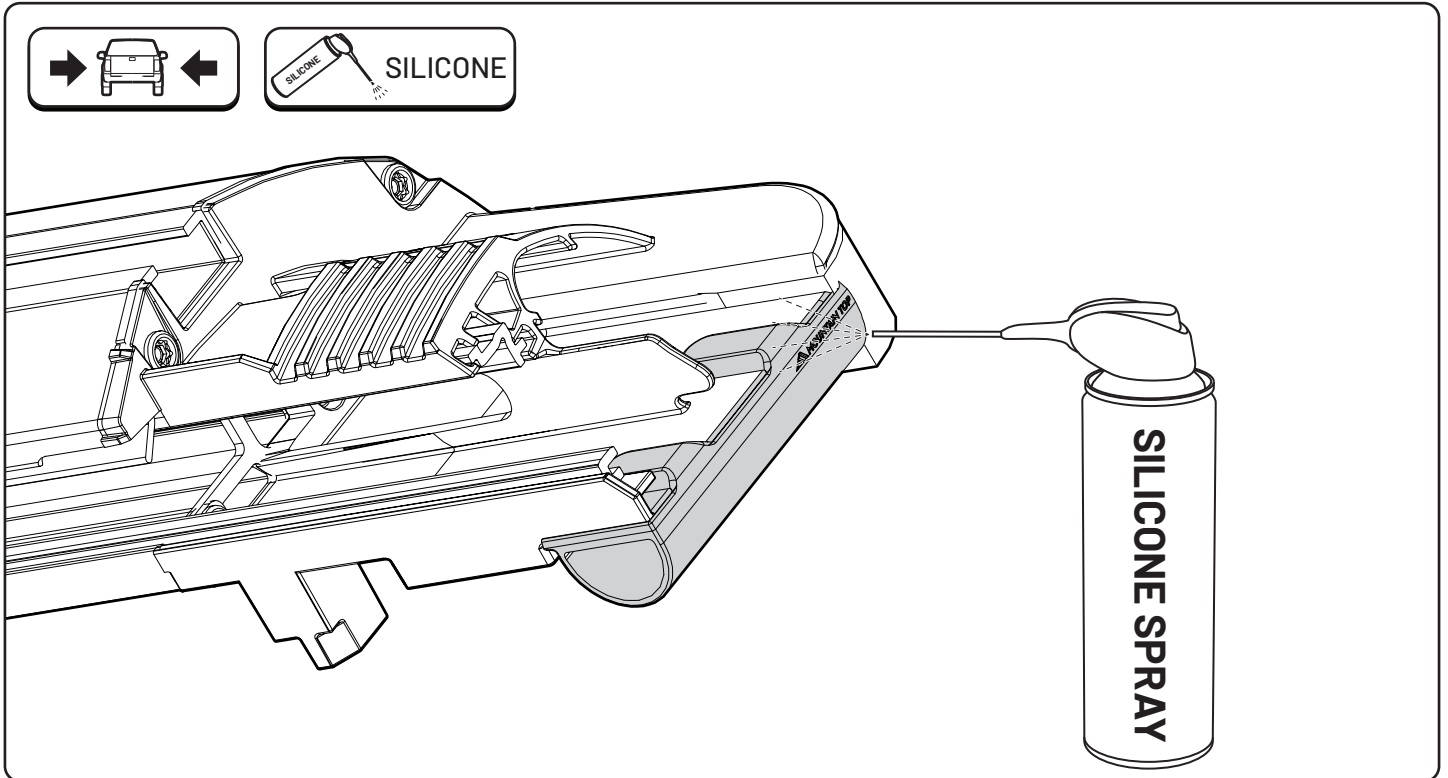


- Clean the drainage channels on the side profiles.



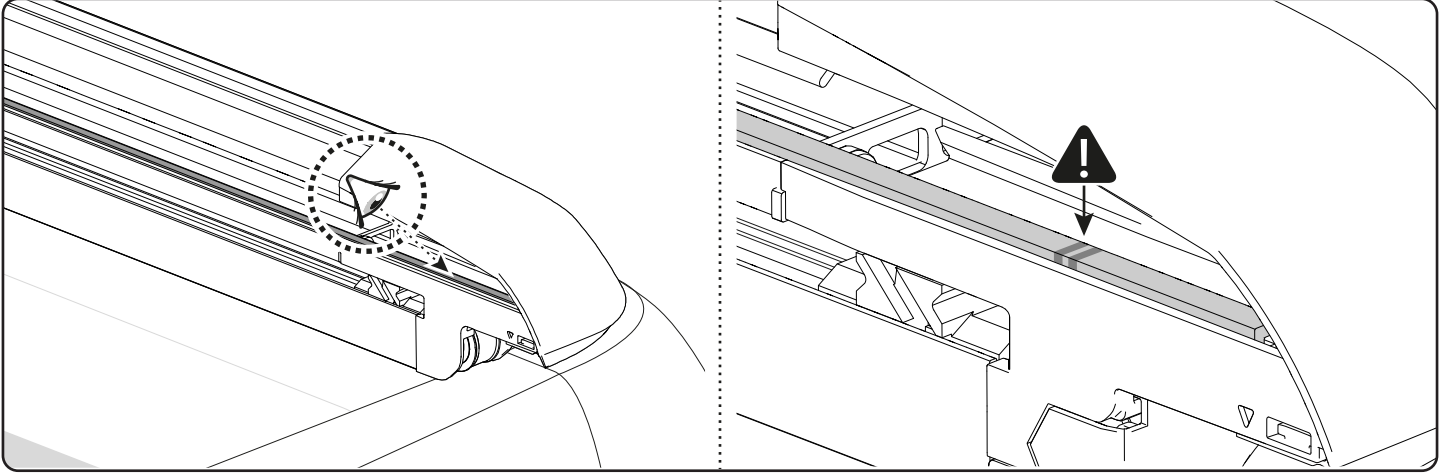
- The EVO roll cover should be cleaned regularly.





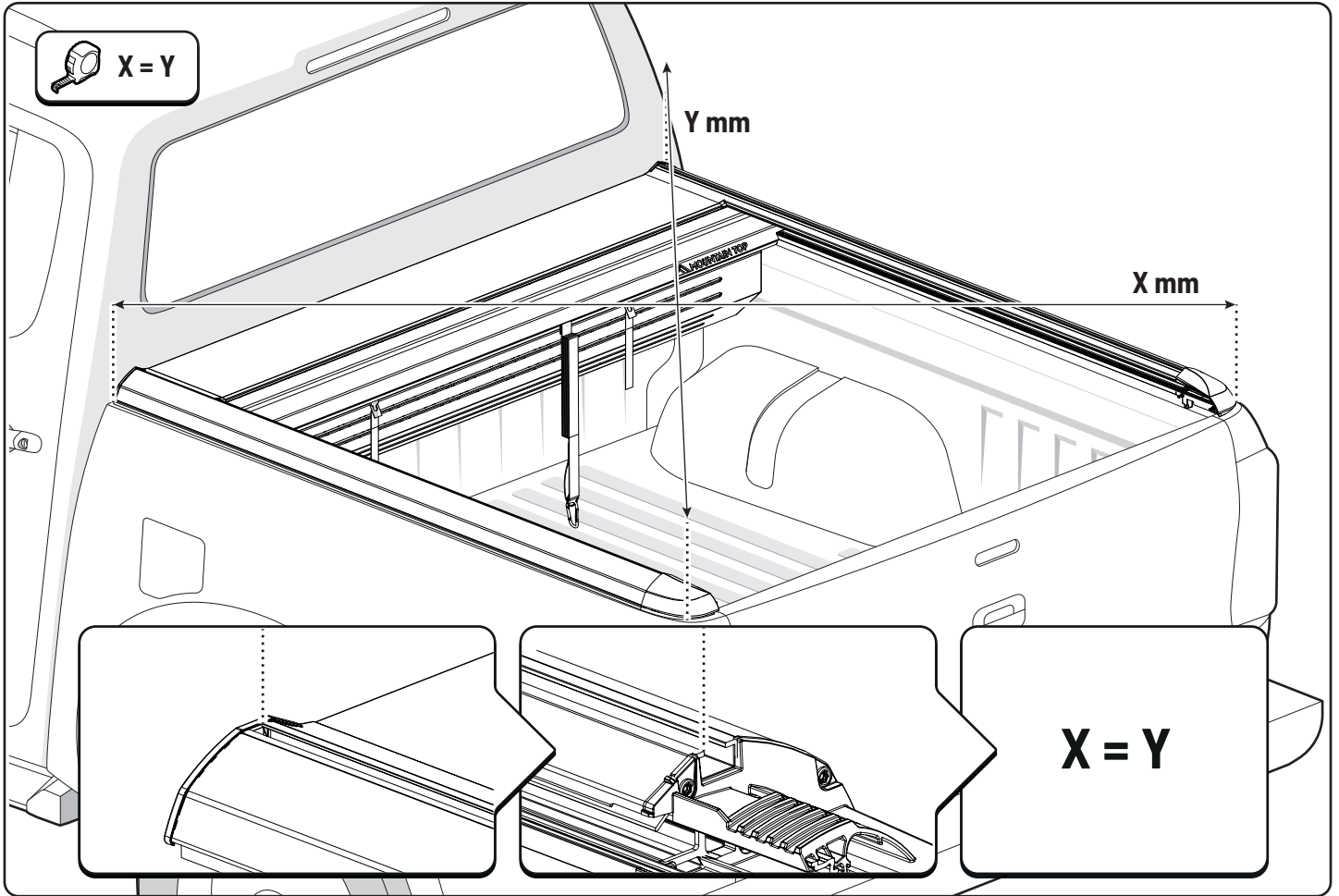
- Regularly, and following cleaning, spray the inside of the canister ends with a PTFE free all-conditions wet lube product.

4 CHECK GLIDE RAILS MAINTENANCE

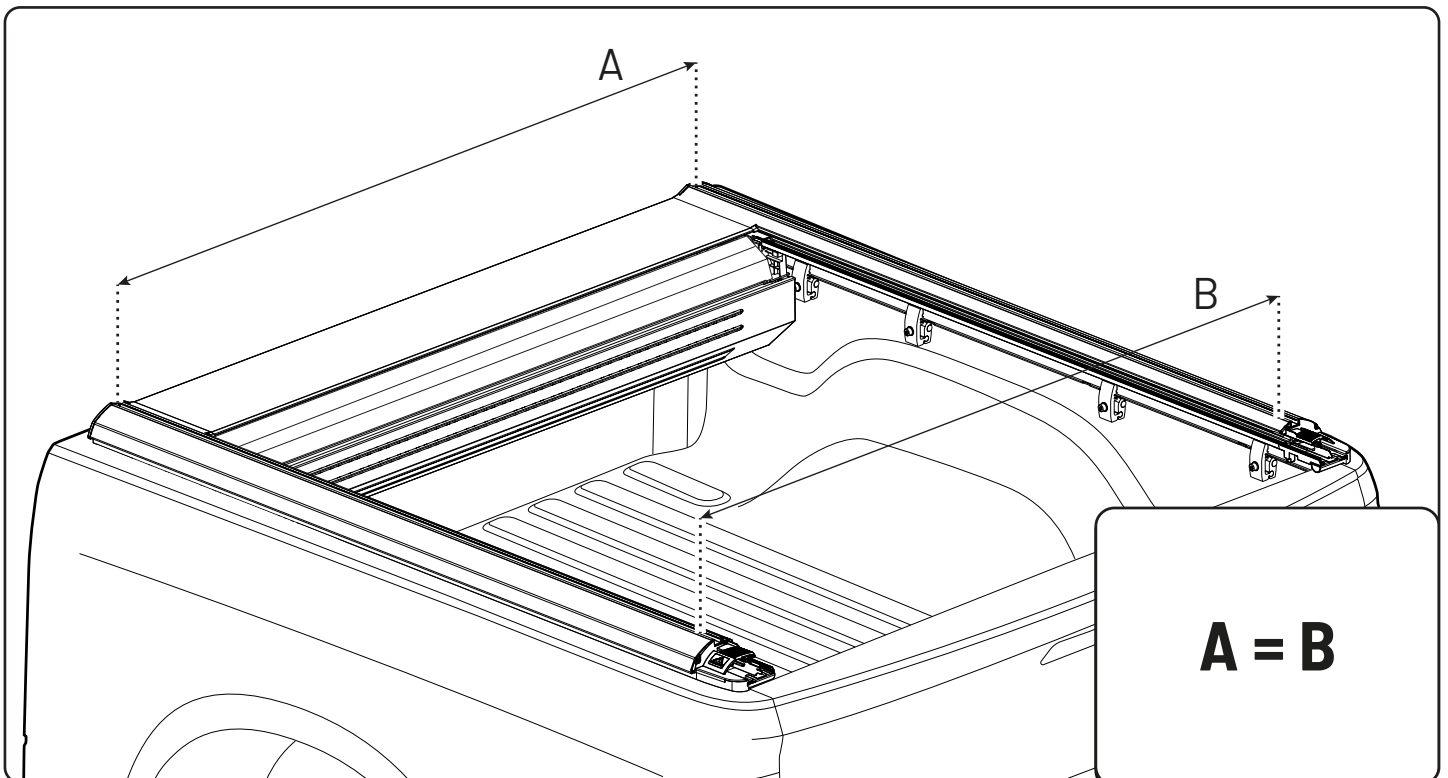


- If abnormal sounds occur during operation of the roll cover, inspect the glide rails for debris or damage. If the glide rails are damaged or worn, then replacement glide rails are needed.

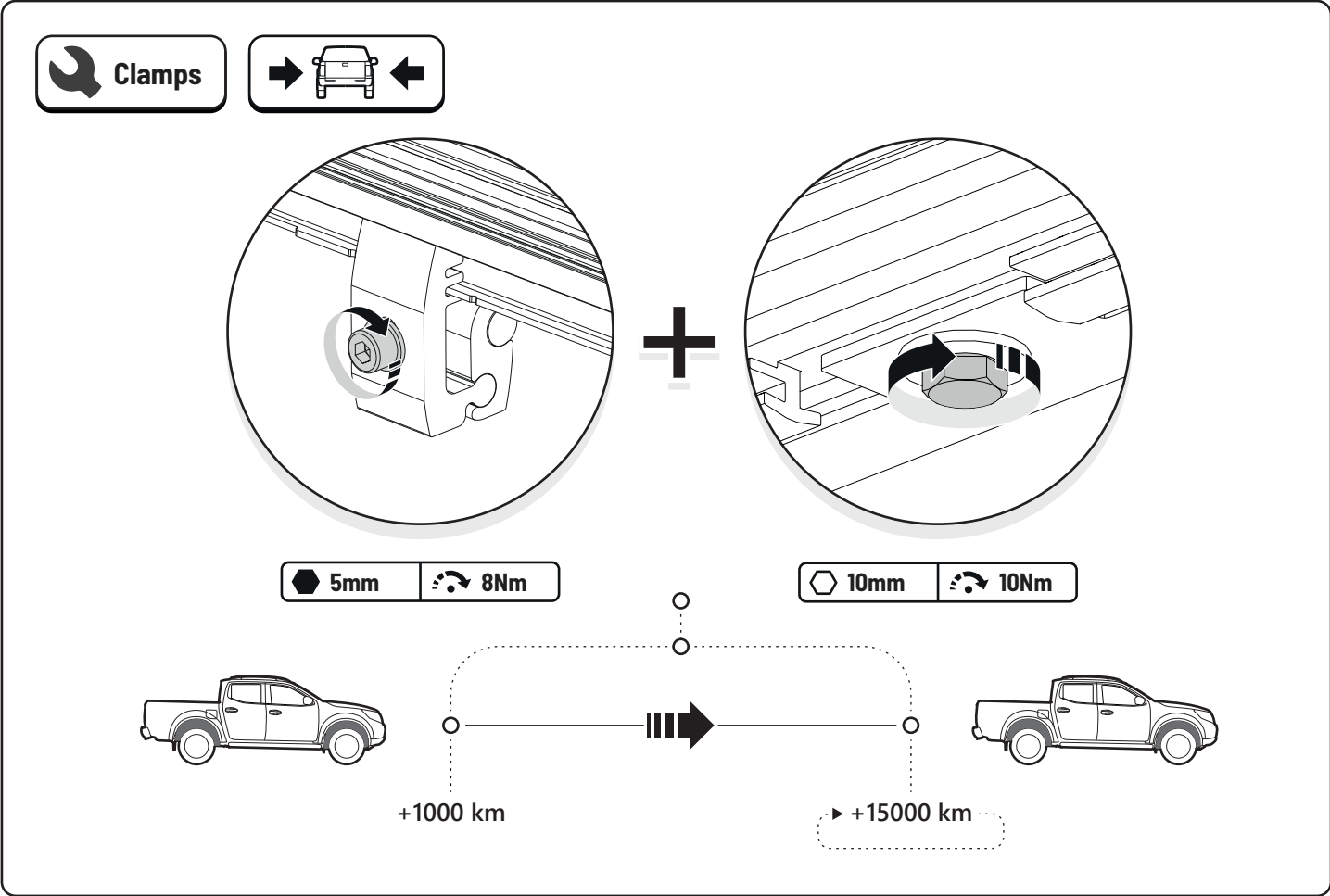
5 CHECK MEASUREMENTS MAINTENANCE



- Ensure the cross measurements are identical.

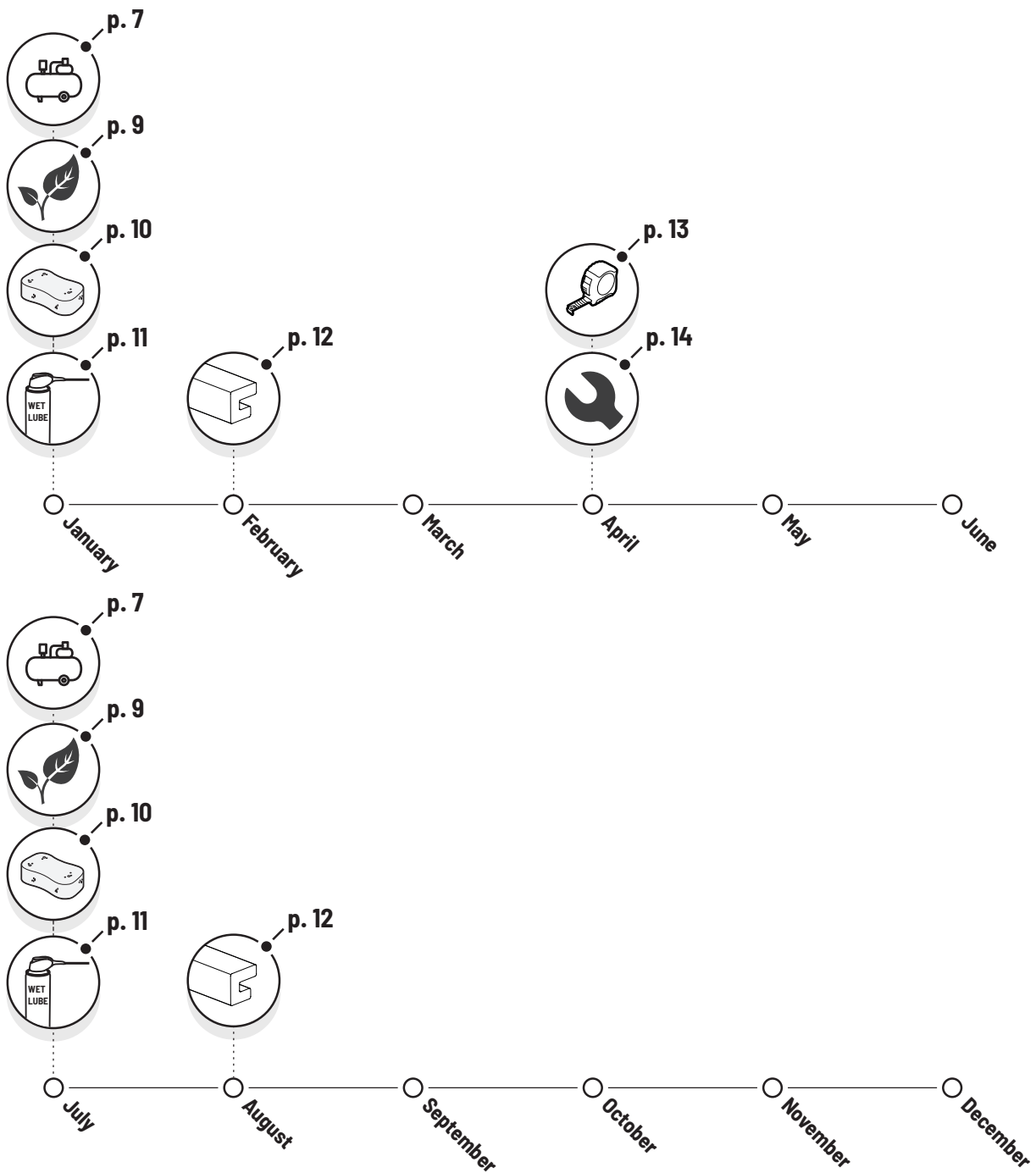


6 CLAMPS



- Re-tighten the clamps to 8 Nm 1000 km after first use. And then every 15.000 km

MINIMUM MAINTENANCE REQUIREMENTS



Recommended part change

Side profiles

Km
100.000

Years
3

Rear profiles

Km
200.000

Years
5

- Maintenance requirements and frequency depend on the actual usage of the roll cover and the environments and elements that it is exposed to.
- Clean and lubricate the cover accordingly to ensure the best possible operation and function.

Maintenance EVOe manager



Type of Maintenance	Date	Done by



Customer Service	+45 4810 2950 (08:00 - 16:00 CET)
Support	info@mountaintop.dk
Website	www.mountaintop.dk
Address	Pedersholmparken 10, 3600 Frederikssund, Denmark